

Part # 22-2182

GENERAL OPERATING INSTRUCTIONS: TOYOTA SPRING LOCK RELEASING TOOL

**I KNOW,
I KNOW ...**

**But Read Carefully
Before Using Anyway!**



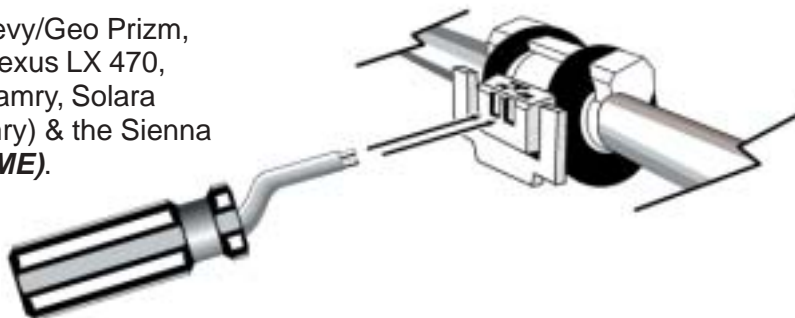
DISCLAIMER

We believe the information contained herein to be reliable. However, general technical information is given by us without charge and the user shall employ such information at his own discretion and risk. We assume no responsibility for results or damages incurred from the use of such information in whole or in part. **Always refer to specific instructions and technical information supplied by vehicle manufacturer.**

All warranties expressed or implied, including warranties on merchantability and fitness of purpose, are null and void if the equipment is altered, damaged or misused in any way, or if equipment is not repaired by authorized repair station using authorized parts.

WHERE IT'S USED:

Corolla Models since 1988, Chevy/Geo Prizm, Early '99 Toyota Land Cruiser/Lexus LX 470, Sport Utility Vehicles, Avalon, Camry, Solara (New Coupe based on the Camry) & the Sienna Mini Van **(AND MORE TO COME).**



HOW IT WORKS:

- Rotate Spring Lock Clamp Until Slots are in Comfortable Position.
- Insert Blade of Tool Into Slots and Push in.
- Clamp Will Snap Open (See Diagram).

It's That Simple!

For Technical Questions & Replacement Parts call 845-562-1442. In the unlikely event that you need factory repair, part or item must be securely packed and shipped prepaid to:

**Classic Tool Design, Inc.
Repair Department
31 Walnut Street, New Windsor, NY 12553**

